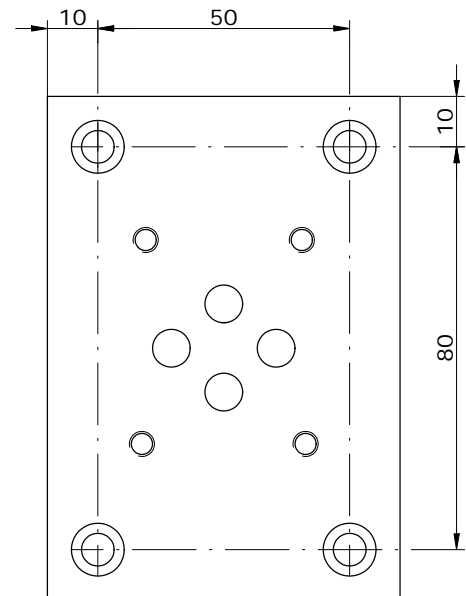
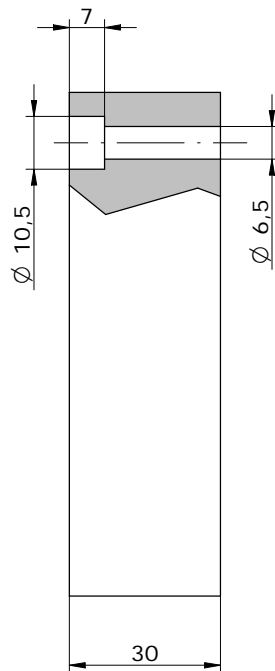
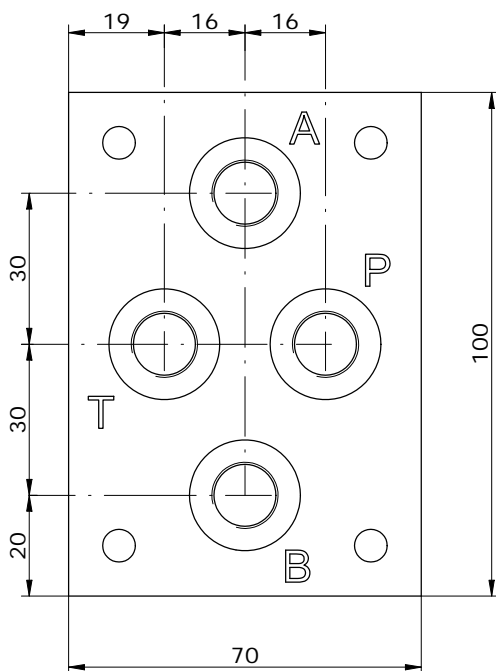
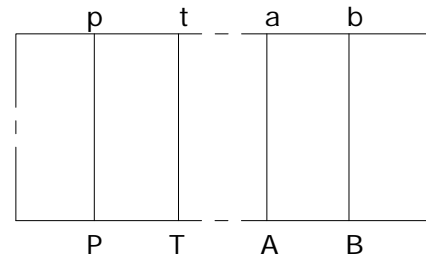
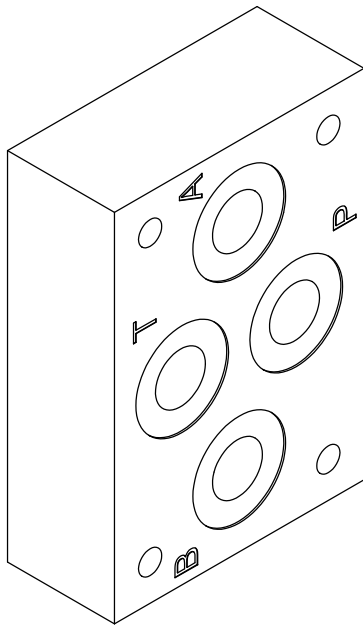


Schema idraulico
 Hydraulic diagram



E_ 06 - 07 - _____

S = STEEL
A = ALUMINIUM

14 = BSP 1/4G
38 = BSP 3/8G
12 = BSP 1/2G