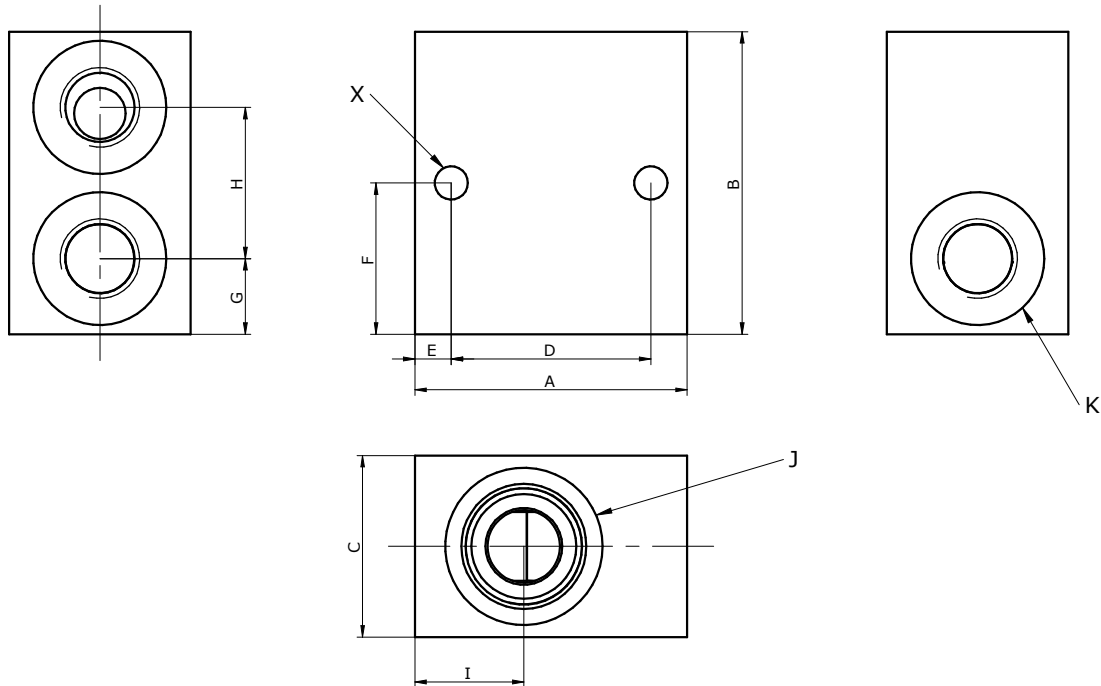
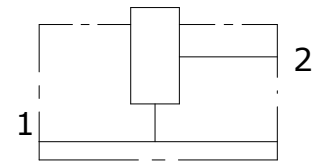


Schema idraulico
 Hydraulic diagram



SIZE	A	B	C	D	E	F	G	H	I	CAVITY	J	K	X
HRVL_-08	45	50	30	33	6	25	12,5	24	18	SAE 08-2	C007	1/4"BSP	5,5
	60	60	40	48	6	30	14	32,5	25			3/8"BSP	6,5
HRVL_-10	70	78	35	58	6	39	20	40	26	SAE 10-2	C035	1/2"BSP	6,5
	70	90	40	56	8	45	20	52	26			3/4"BSP	8,5
	85	120	60	65	10	63	30	65	33			1"BSP	8,5
HRVL_-80	60	70	35	48	6	35	18	31	22	M20x1,5	C008	3/8"BSP - 1/2"BSP	6,5
HRVL_-150	85	120	60	65	10	63	30	58	32	M26x1,5	C019	1"BSP	8,5
	100	135	70	80	10	70	35	68	40			1.1/4"BSP	10,5

HRVL - - -

S = STEEL
A = ALUMINIUM

08 = 3/4-16 UNF
10 = 7/8-14UNF
80 = M20x1,5
150 = M26x1,5

14 = 1/4"
38 = 3/8"
12 = 1/2"
34 = 3/4"
100 = 1"
114 = 1.1/4"