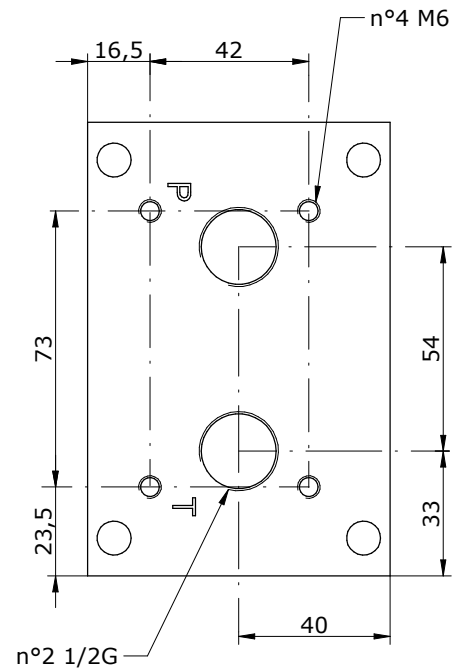
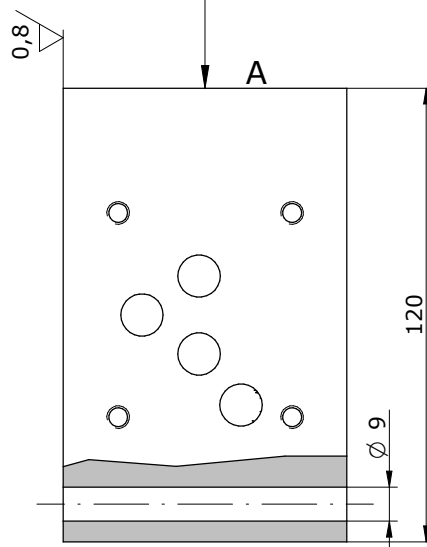
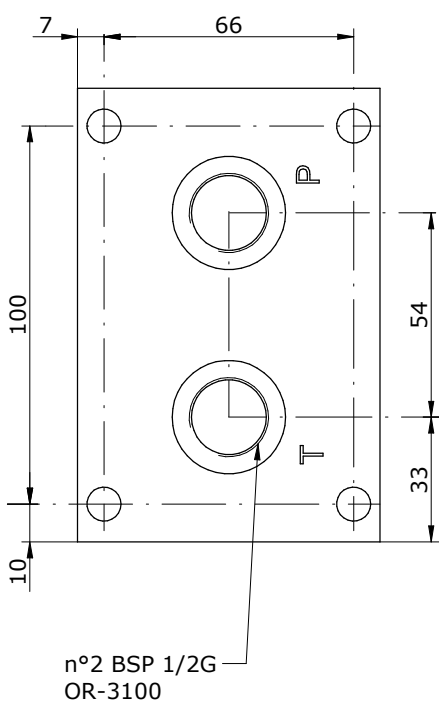
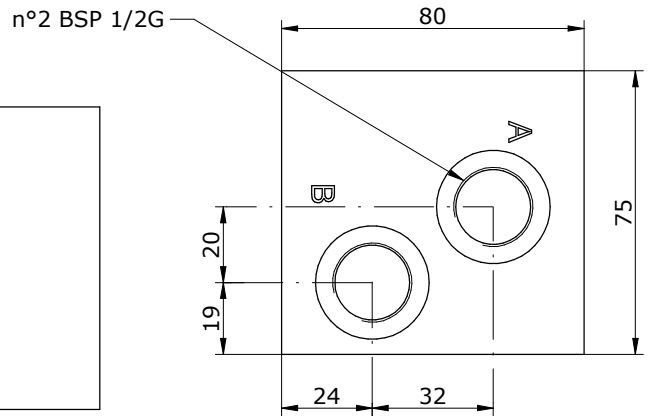
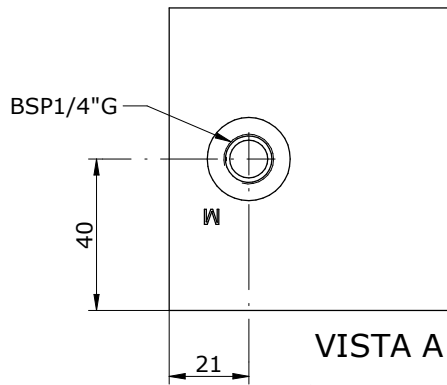
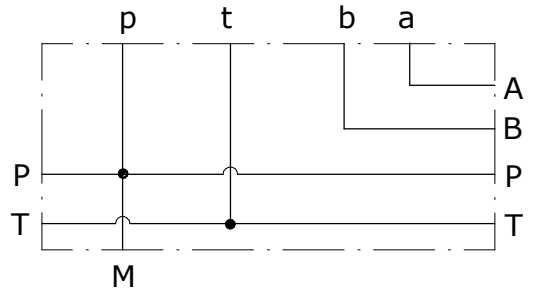


Schema idraulico
 Hydraulic diagram



E_ 610 - 25 - 12

S = STEEL
A = ALUMINIUM